

GTV



VELLO HANDLESS SYSTEM

VELLO

The trend for a minimalist designed space that does not overwhelm, but rather allows us to regain balance, has been going on for many seasons. To meet the growing needs, we have created VELLO system, which will allow to build a completely handle-free kitchen.



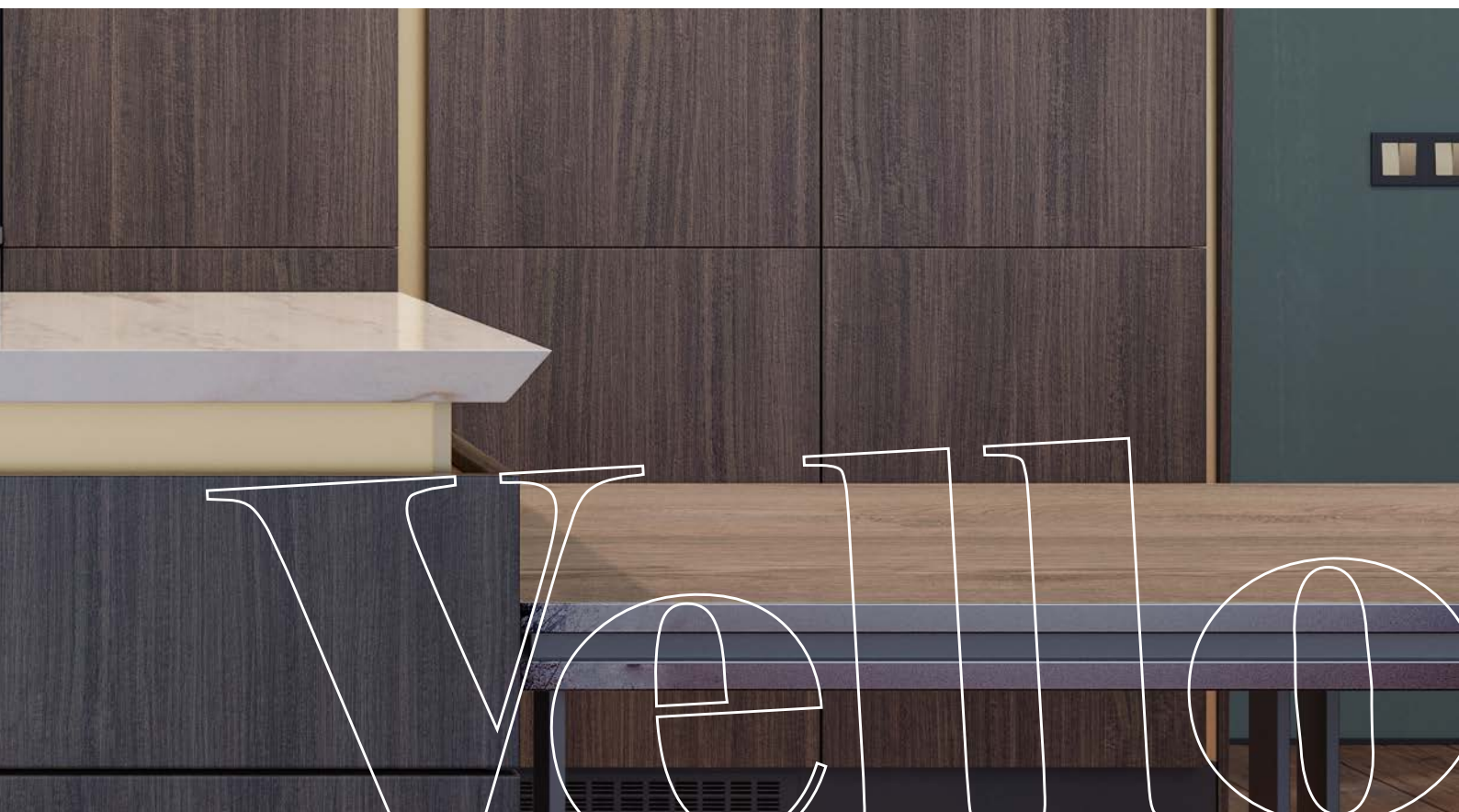
VELLO is a set of horizontal and vertical profiles available in four patterns and five colours: white, black, brushed steel aluminium and bright gold. With their help, handle-free drawers and cabinets can be built, obtaining a uniform, smooth front line of the front of furniture.

Thanks to the horizontal profiles of VELLO system, we can highlight the contents of the drawers. Thanks to this function, we obtain a fully illuminated usable space.

Vello profiles are mounted both to the inner sides of the body as well as to the partitions in which we make milling. In an additional variant, we can also make milling on the side boards of the body - then it is worth using aesthetic end caps.

Made of high-quality aluminium Vello profiles are available in 3000 and 4100 mm lengths. The product can be freely cut to the desired length. When creating a handle-free kitchen with a smooth line of fronts, one should not forget about the rim profile, which is used in cabinets above the kitchen counter as lighting and an invisible handle.

Delicately illuminating the worktop or the sink, it is a very practical addition to kitchen furniture.





Horizontal profile L

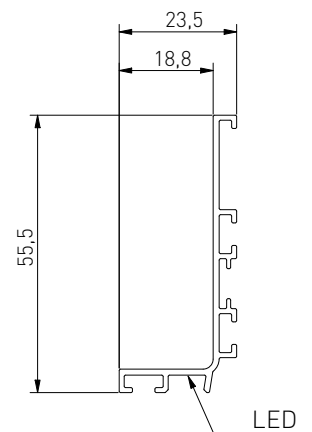
The profile mounted directly under the worktop, and the application of LED strip allows for illumination of the interior of the upper drawers.



Recommended cover
PA-OSMLGLAXMIC3M-00N for LED strip.

Profiles

L mm	Material					aluminium	12
	aluminium	brushed steel	white	black matt	bright gold		
3000	PA-VELLO-L3M-05	PA-VELLO-L3M-06	PA-VELLO-L3M-10	PA-VELLO-L3M-20M	-	aluminium	12
4100	PA-VELLO-L4M-05	PA-VELLO-L4M-06	PA-VELLO-L4M-10	PA-VELLO-L4M-20M	PA-VELLO-L4M-21		





Horizontal profile C

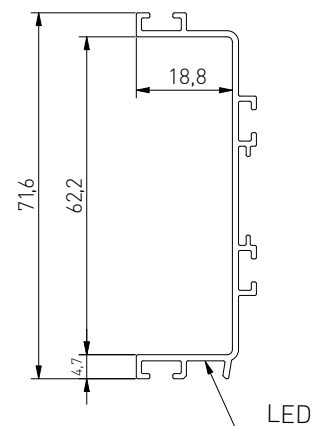
The profile is perfect for use between two drawers, giving us the possibility to open the drawers from the top and from the bottom. Thanks to the LED function, we can illuminate the interior of the drawer underneath the profile.



Recommended cover
PA-OSMLGLAXMIC3M-00N for LED strip.

Profiles

L mm	Material/Color					aluminium	12
	aluminium	brushed steel	white	black matt	bright gold		
3000	PA-VELLO-C3M-05	PA-VELLO-C3M-06	PA-VELLO-C3M-10	PA-VELLO-C3M-20M	-	aluminium	12
4100	PA-VELLO-C4M-05	PA-VELLO-C4M-06	PA-VELLO-C4M-10	PA-VELLO-C4M-20M	PA-VELLO-C4M-21		





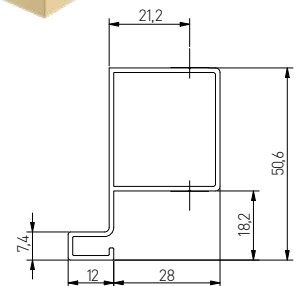
Single vertical profile J

The profile built for the handle-free opening of the fronts of the outermost columns.



Profiles

L mm	aluminium	brushed steel	white	black matt	bright gold	aluminium	8
3000	PA-VELLO-TJ3M-05	PA-VELLO-TJ3M-06	PA-VELLO-TJ3M-10	PA-VELLO-TJ3M-20M	PA-VELLO-TJ3M-21	aluminium	8



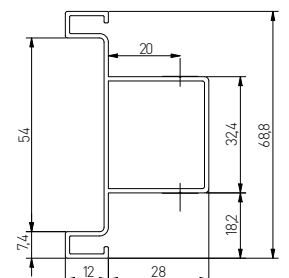
Vertical T-profile

Profile for handle-free opening of high-rise fronts. Thanks to the double construction, we can open two adjacent cabinets.

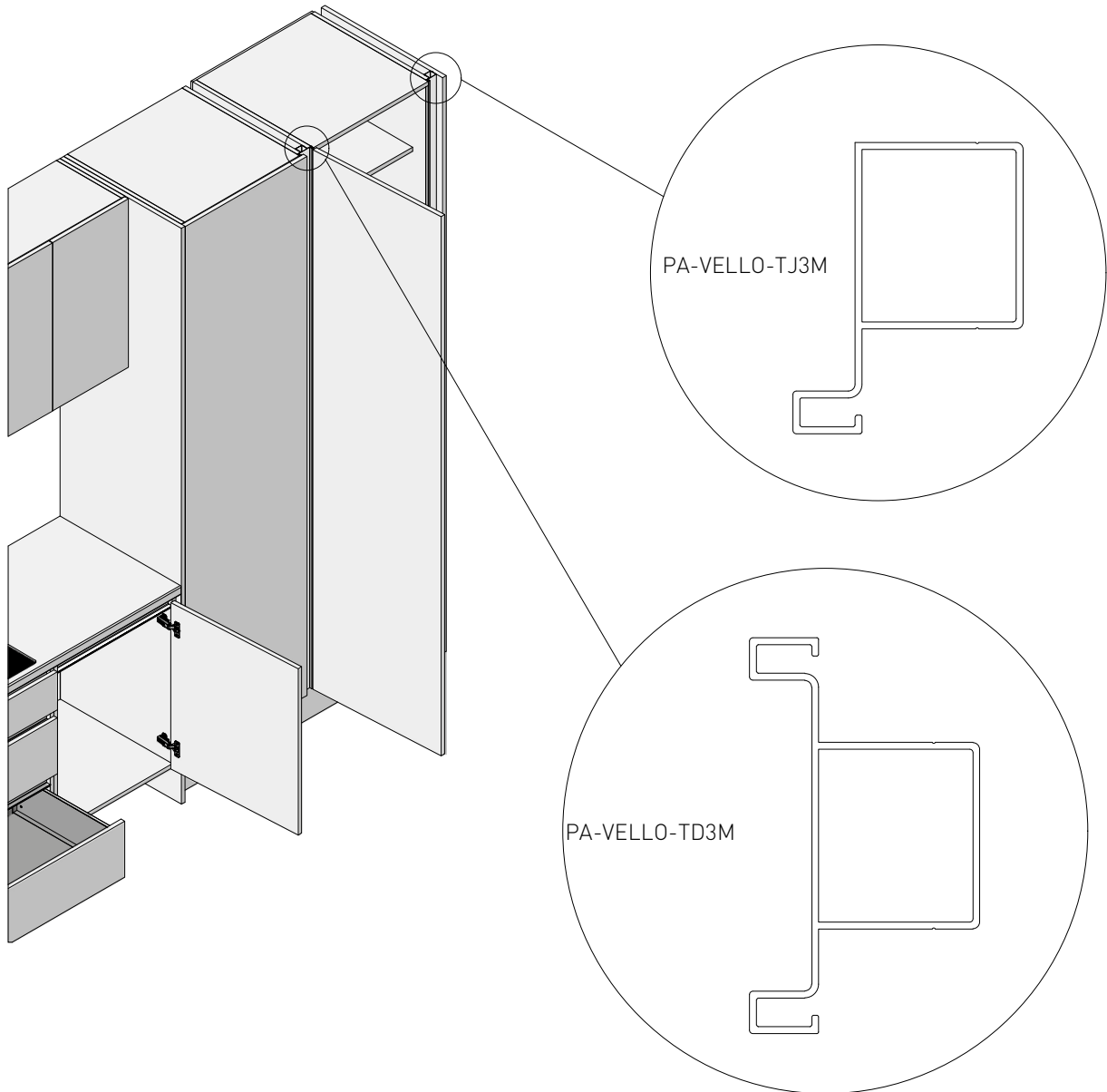


Profiles

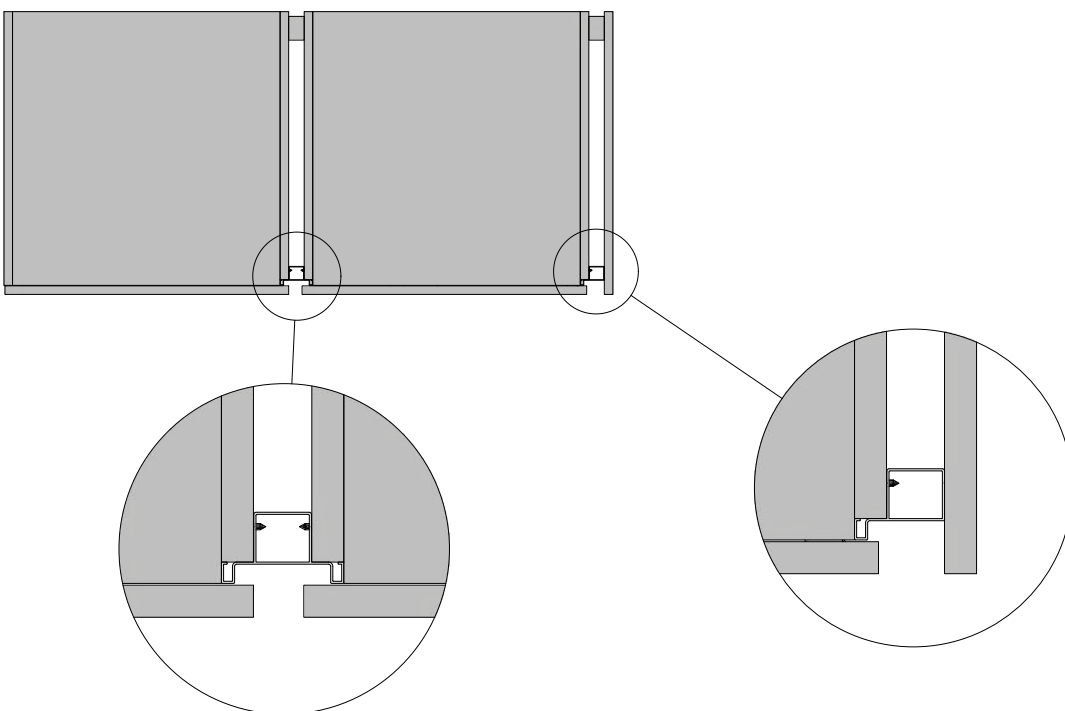
L mm	aluminium	brushed steel	white	black matt	bright gold	aluminium	8
3000	PA-VELLO-TD3M-05	PA-VELLO-TD3M-06	PA-VELLO-TD3M-10	PA-VELLO-TD3M-20M	PA-VELLO-TD3M-21	aluminium	8



PLANNING



ASSEMBLY












Lighting in profiles L and C



In C and L profiles, you can use a 5 mm wide LED strip from GTV offer (indexes below). For the LED strip, it is worth choosing micro milky cover, 3 m long.

			
LD-2835-600-5MM-20-ZB	12 VDC 6,6 Wm	750 lm/m	 6500 K
LD-2835-600-5MM-20-NE4			 4000 K
LD-2835-600-5MM-20-CB			 3200 K

Complementary products - switches:



AE-WBBUNI-10DIM



AE-WBCUNI-10DIM



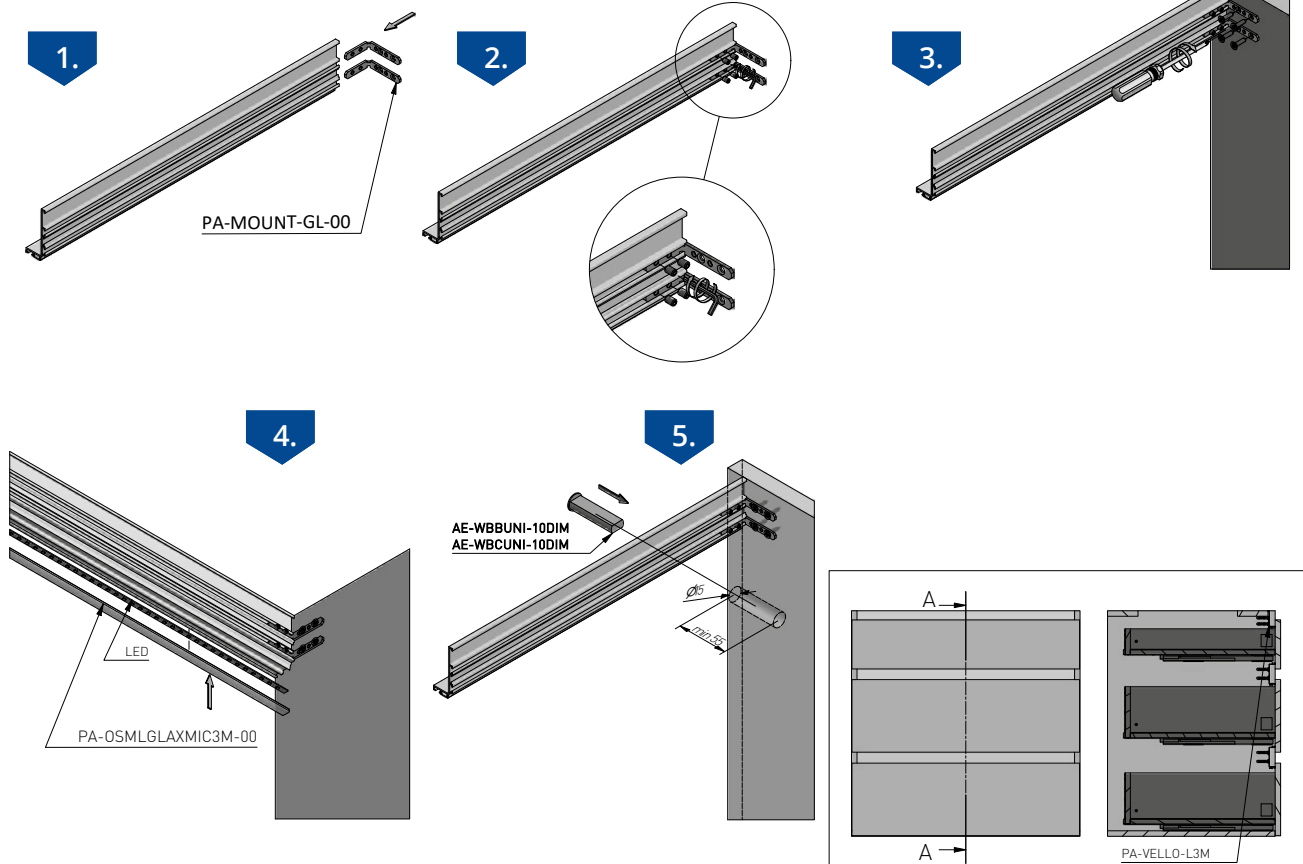
AE-WBEZDB-10S



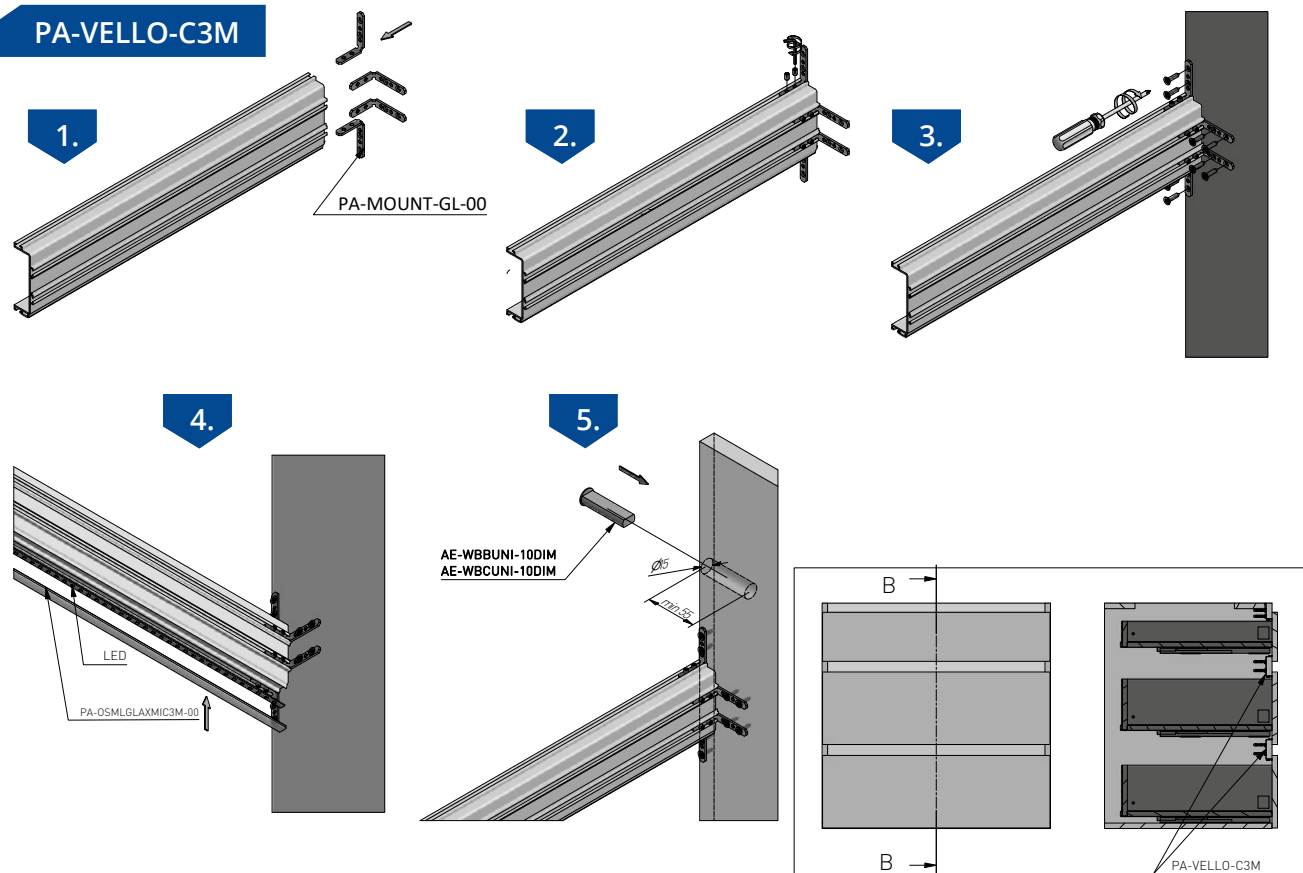
AE-WBEZDC-10S

The figure below shows the possibility of mounting profiles to the body walls without the need to use covers. This is a variant for people who value a uniform surface of furniture.

PA-VELLO-L3M



PA-VELLO-C3M

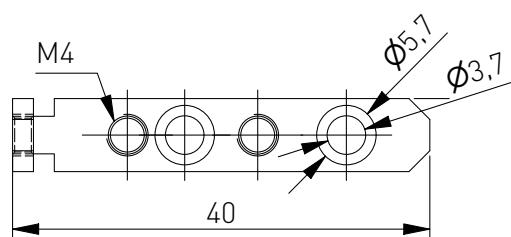
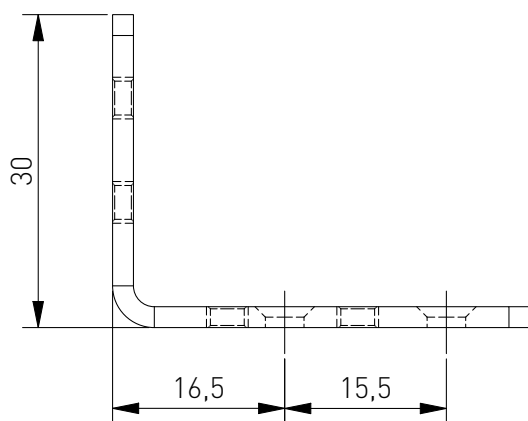


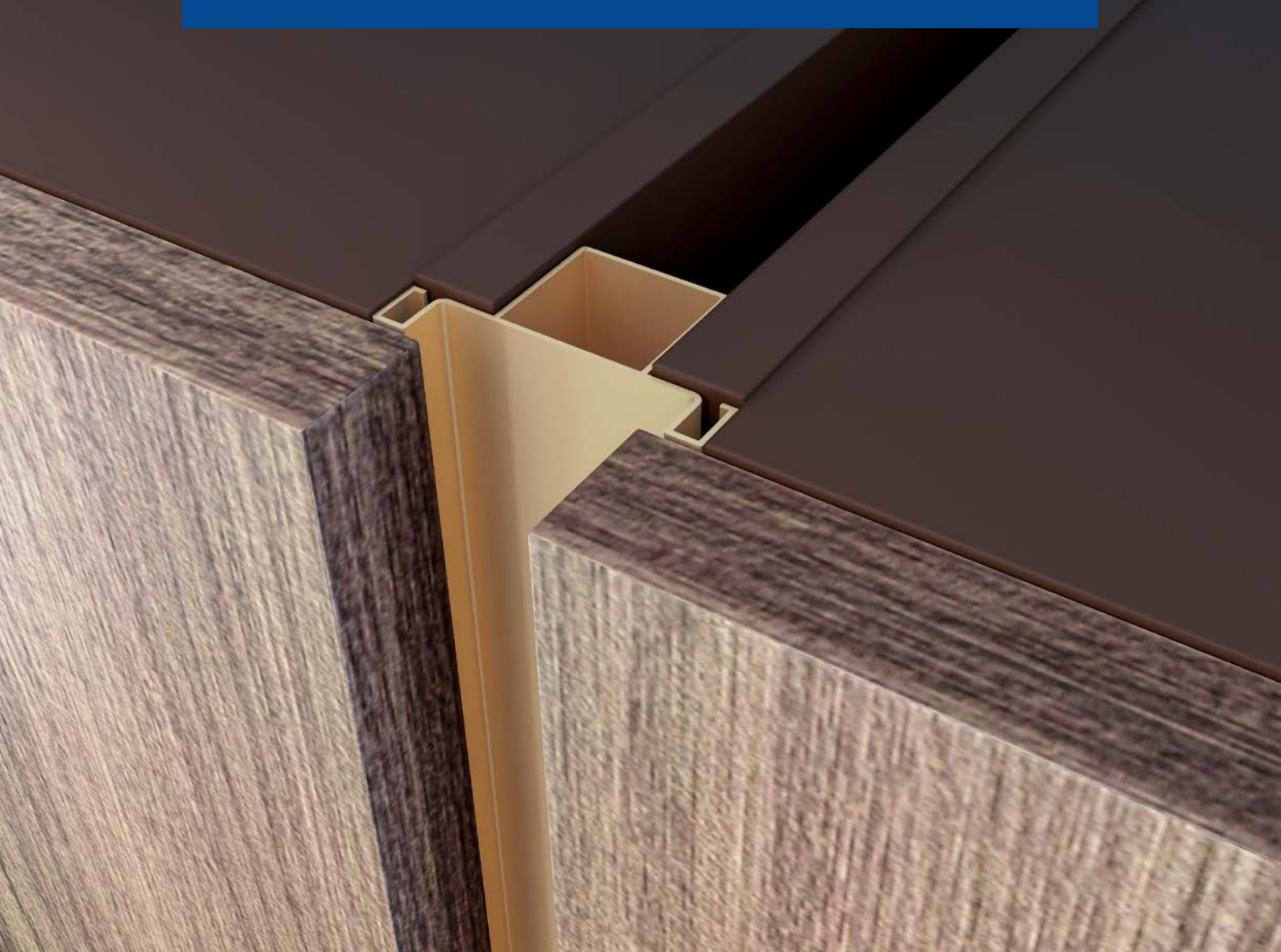
Bracket for horizontal profiles



PA-MOUNT-GL-00

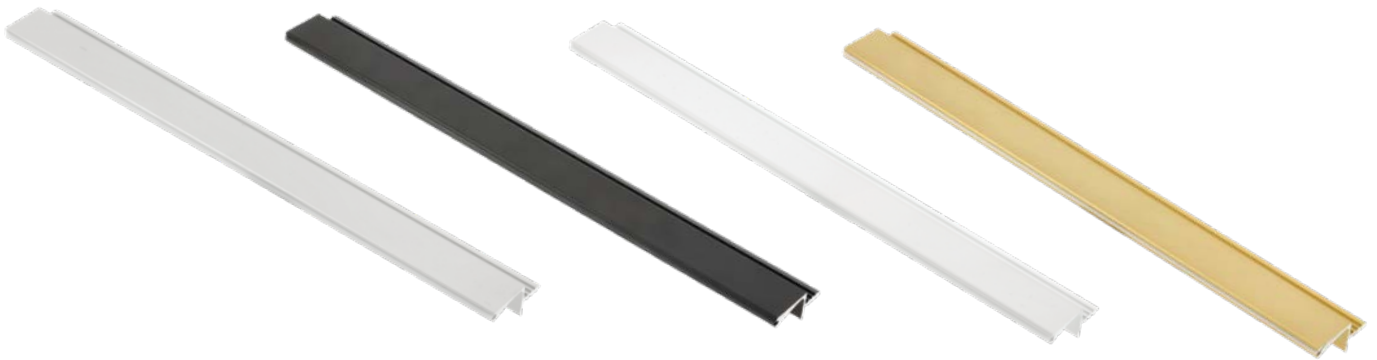
A bracket makes it possible to mount horizontal C and L profiles both inside the body walls and to the partitions. The bracket can also be used to connect two profiles horizontally at right angles. A set includes 2 connectors and 8 pieces of M4 screws (4 screws for one fixing). Two chamfered holes are used for mounting the bracket with screws to the boards of furniture body (not included to the bracket).
Packaging - 50 sets (2 pcs each) in one package.





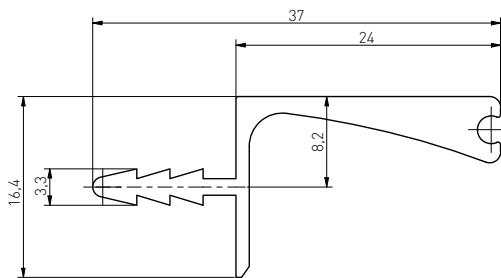
Rim profile VELLO for upper cabinets

The rim profile for upper cabinets comes in four colors. It also has two height versions - dedicated to 16 and 18 mm board. Total length - 3000 mm.



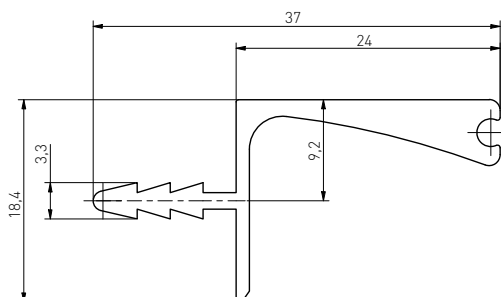
L mm						aluminium		20	
3000/16	PA-VELLO-WN3M16-05	black matt	white	gold	aluminium	20			
		PA-VELLO-WN3M16-20M	PA-VELLO-WN3M16-10	PA-VELLO-WN3M16-21					

16 mm



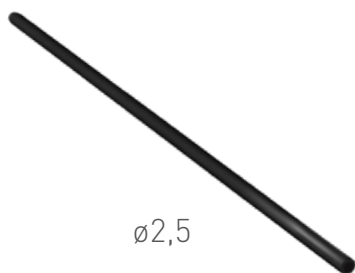
L mm						aluminium		20	
3000/18	PA-VELLO-WN3M18-05	black matt	white	gold	aluminium	20			
		PA-VELLO-WN3M18-20M	PA-VELLO-WN3M18-10	PA-VELLO-WN3M18-21					

18 mm



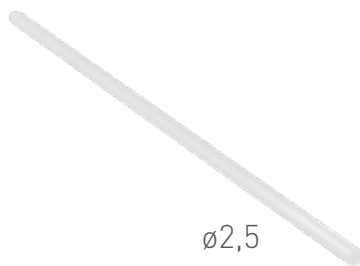
Related products

Cord gaskets



ø2,5

PA-USZGLAX-00N



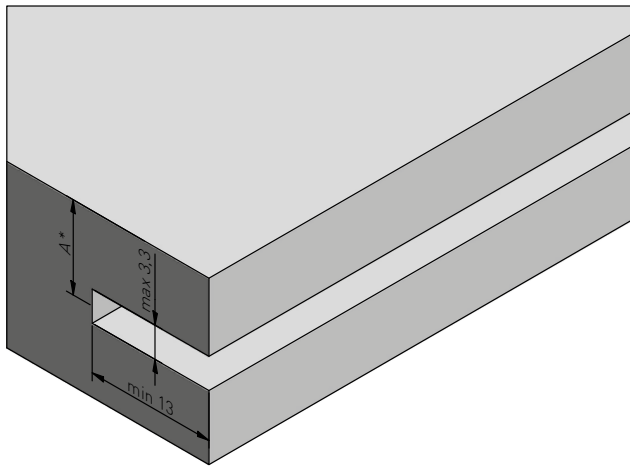
ø2,5

PA-USZGLAX-10N

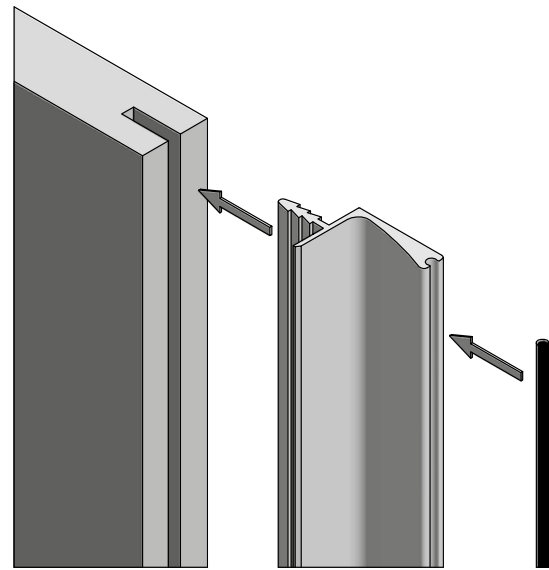


Installation

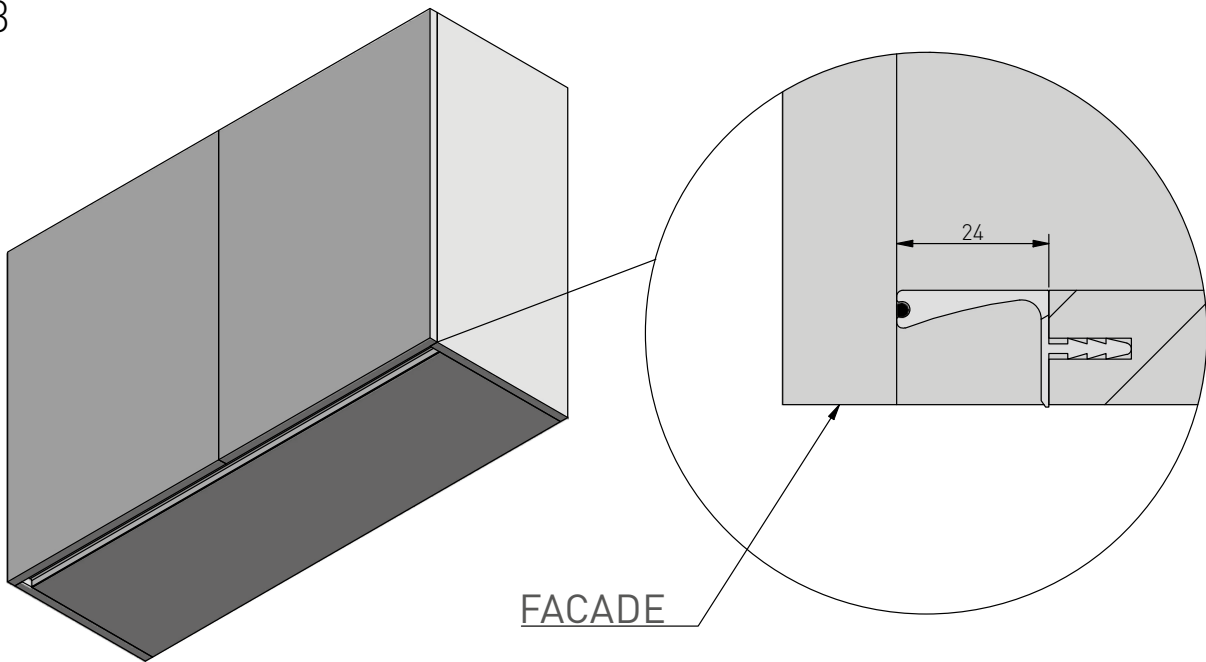
1



2



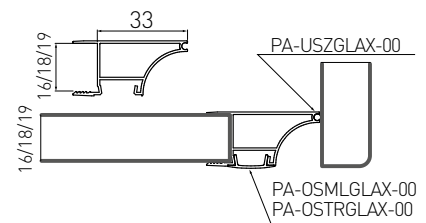
3





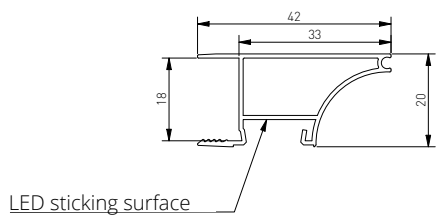
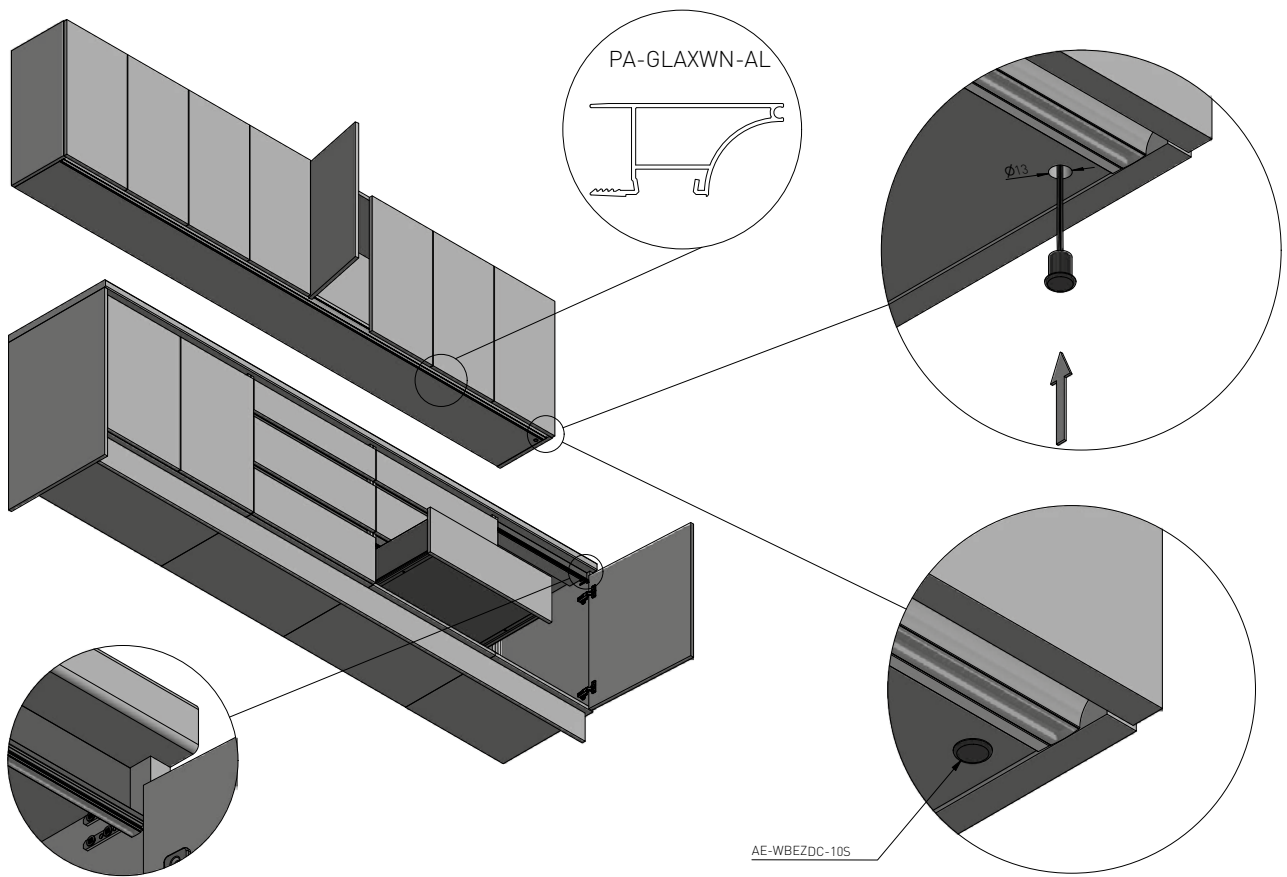
Rim profile

The smooth line of the cabinets can be obtained by mounting GLAX rim profile to the bottom edge. It is a two-in-one product - it replaces the handle and illuminates the worktop at the same time.

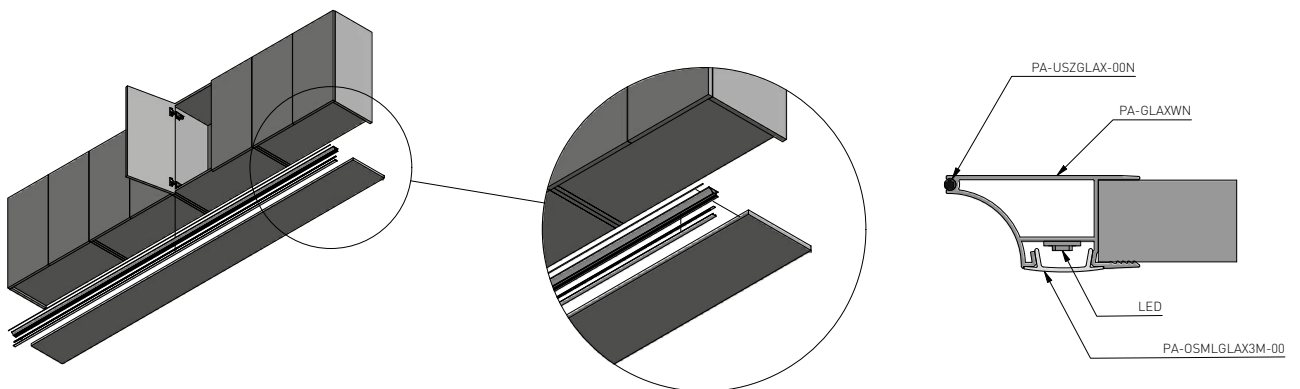


Icon: Folder	Icon: BOARD mm	Icon: L mm	Icon: i	Icon: Leaf	Icon: Recycle
PA-GLAXWN-AL	18	2	Profile	silver	Aluminium
PA-GLAXWN3M-AL		3		black	
PA-GLAXWN3M-AL-20M				white	
PA-GLAXWN3M-AL-10				inox	
PA-GLAXWN3M-AL-06					
PA-OSMLGLAX-00	-	2	Cover	milky	PC
PA-OSTRGLAX-00				transparent	
PA-OSCLGLAX-00				black	
PA-OSMLGLAX3M-00	-	3	Cover	milky	PC
PA-OSTRGLAX3M-00				transparent	
PA-OSCLGLAX3M-00				black	
PA-USZGLAX-00N	-	10	Seal	black	EPDM
PA-USZGLAX-10N				white	

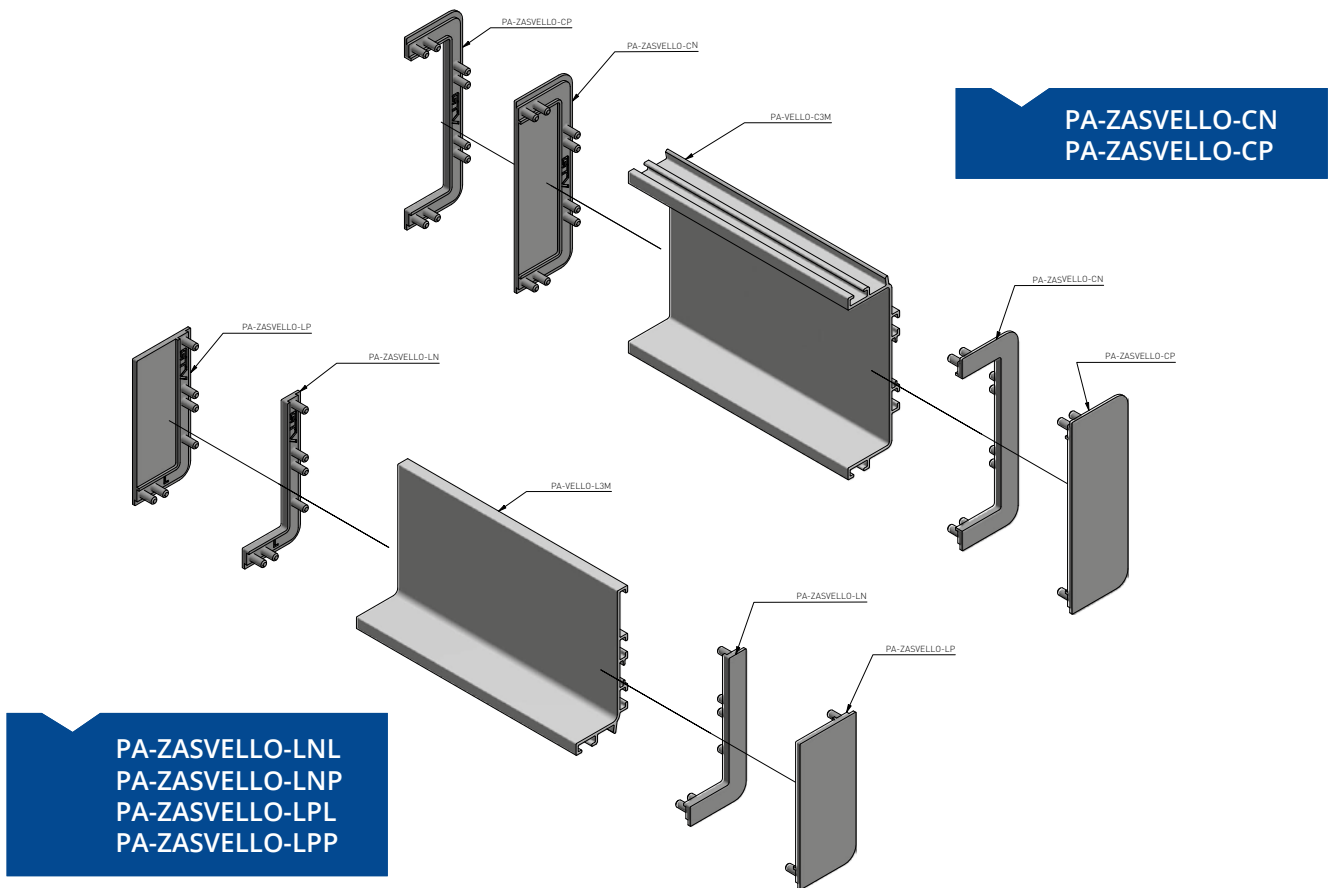
Any GTV Lighting LED strip with a cover can be used for the profile.



PA-GLAXWN-AL	GLAX rim profile, 2 m long, silver
PA-GLAXWN3M-05	GLAX rim profile, 3 m long, silver
PA-GLAXWN3M-20M	GLAX rim profile, 3 m long, black
PA-GLAXWN3M-10	GLAX rim profile, 3 m long, white
PA-GLAXWN3M-06	GLAX rim profile, 3 m long, inox



Vello system caps



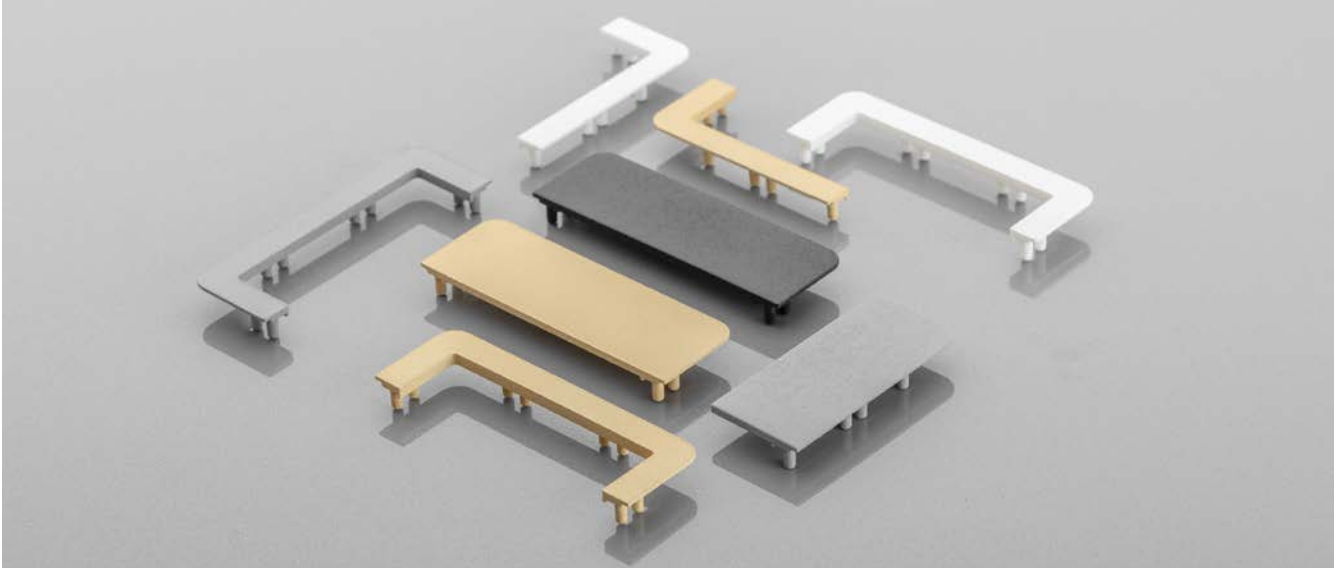
The end caps are produced in 3D printing technology, which are then varnished to match the colour of the profile. In the case of L profile, we have a right and left end cap, in a full and incomplete version. The end cap for the C profile is symmetrical, in a full and incomplete version. We offer each type of the end cap in five colour versions, matching the profile.

End caps for L profile

aluminium	brushed steel	white	black matt	gold	Plastic	10
PA-ZASVELLO-LNL-05	PA-ZASVELLO-LNL-06	PA-ZASVELLO-LNL-10	PA-ZASVELLO-LNL-20M	PA-ZASVELLO-LNL-21		
PA-ZASVELLO-LNP-05	PA-ZASVELLO-LNP-06	PA-ZASVELLO-LNP-10	PA-ZASVELLO-LNP-20M	PA-ZASVELLO-LNP-21		
PA-ZASVELLO-LPL-05	PA-ZASVELLO-LPL-06	PA-ZASVELLO-LPL-10	PA-ZASVELLO-LPL-20M	PA-ZASVELLO-LPL-21		
PA-ZASVELLO-LPP-05	PA-ZASVELLO-LPP-06	PA-ZASVELLO-LPP-10	PA-ZASVELLO-LPP-20M	PA-ZASVELLO-LPP-21		

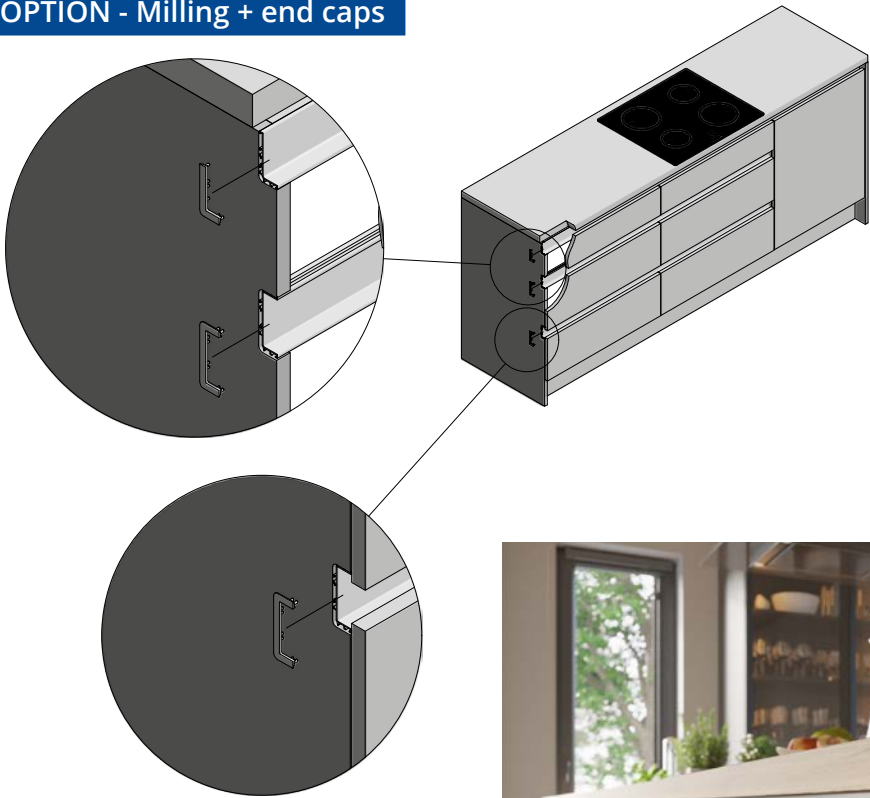
End caps for C profile

aluminium	brushed steel	white	black matt	gold	Plastic	10
PA-ZASVELLO-CN-05	PA-ZASVELLO-CN-06	PA-ZASVELLO-CN-10	PA-ZASVELLO-CN-20M	PA-ZASVELLO-CN-21		
PA-ZASVELLO-CP-05	PA-ZASVELLO-CP-06	PA-ZASVELLO-CP-10	PA-ZASVELLO-CP-20M	PA-ZASVELLO-CP-21		

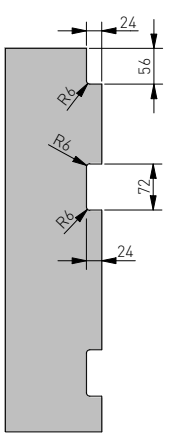


Milling sides for end caps

OPTION - Milling + end caps



Dimensions of milling for profiles

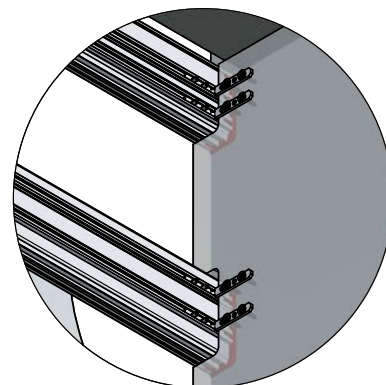
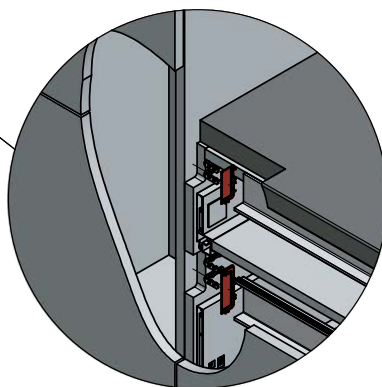
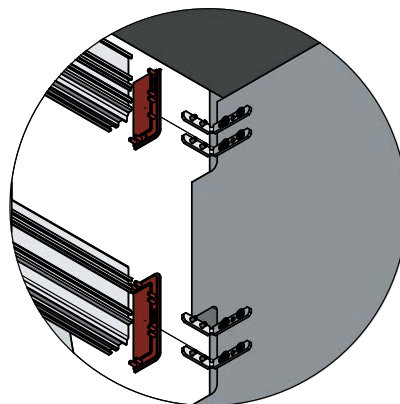
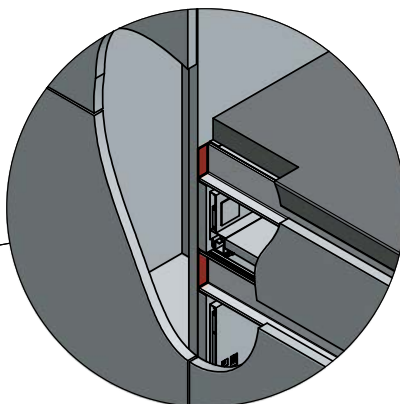
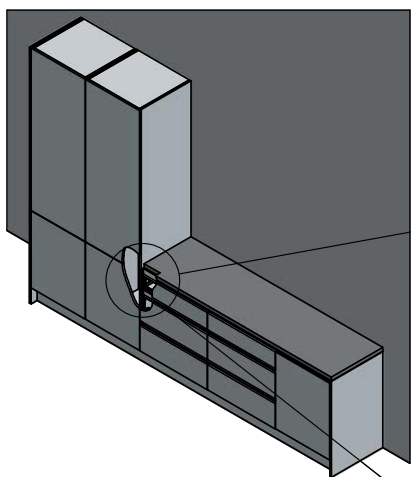


Option milling

Option with enlarged milling:

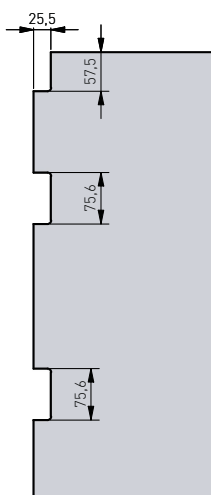
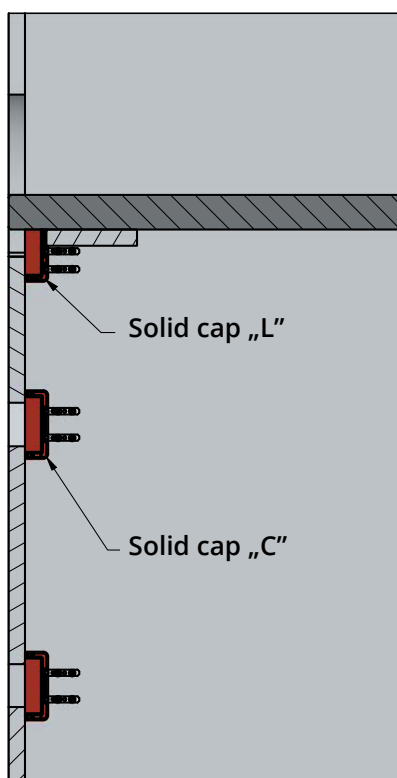
Front view:

Rear view:



Side section:

Dimensions of enlarged milling:

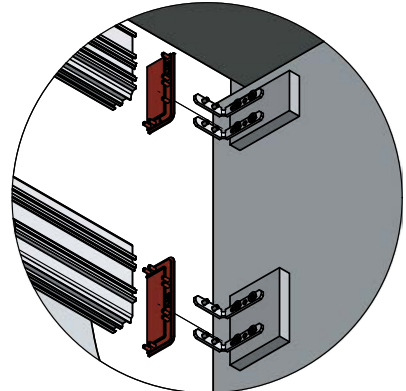
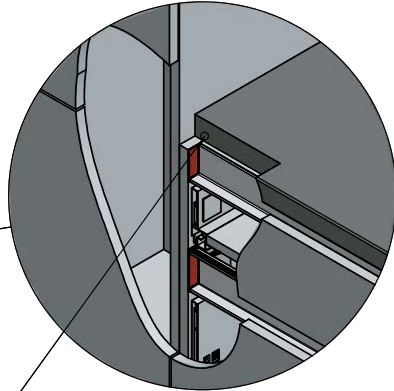
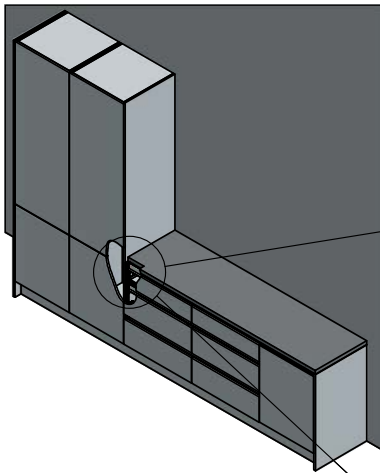


Option milling

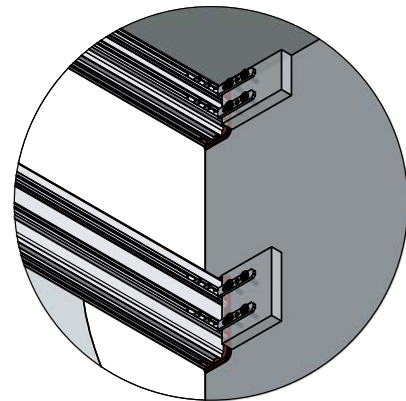
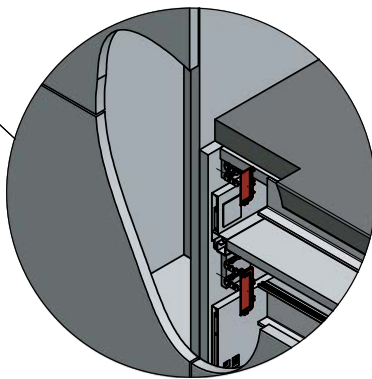
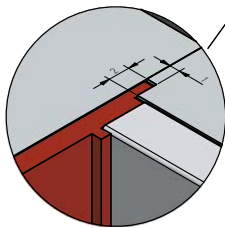
Option without milling for solid end cap:

Front view

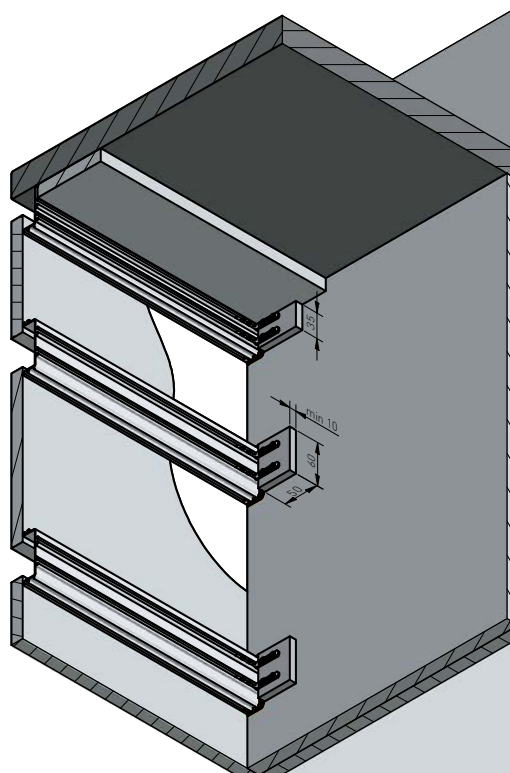
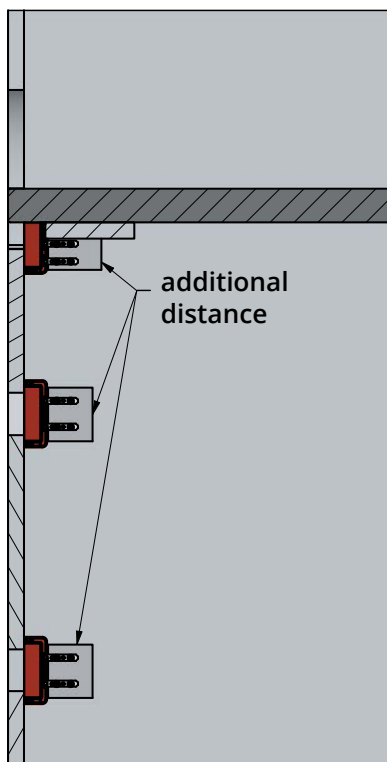
Rear view



Pull back profile or milling

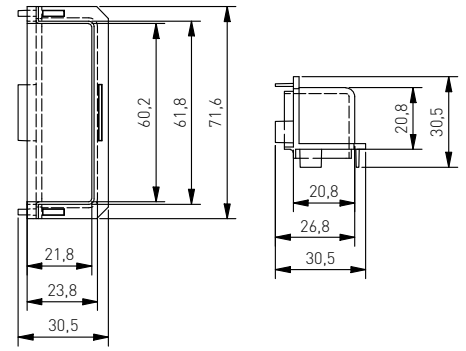
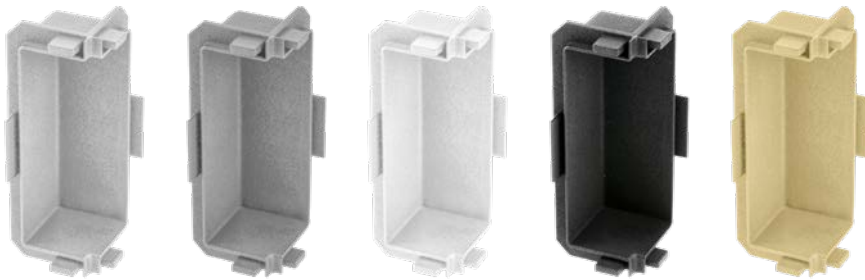


Side section:



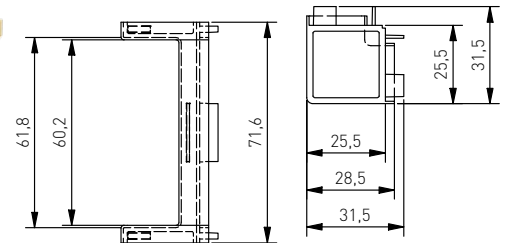
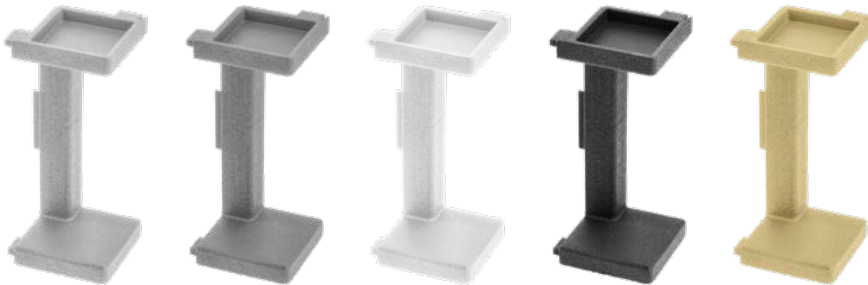
Angle connectors type C

Internal connectors



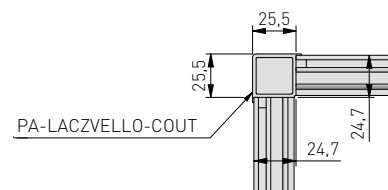
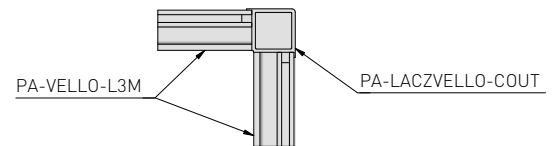
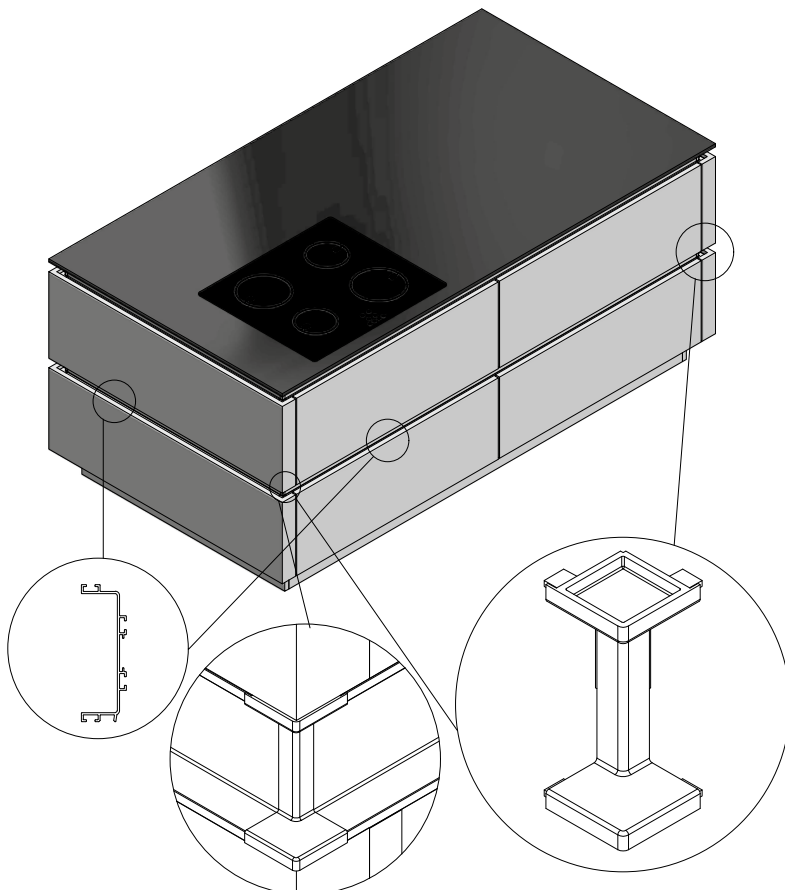
aluminium	brushed steel	white	black matt	gold	Plastic	10
PA-LACZVELLO-CIN-05	PA-LACZVELLO-CIN-06	PA-LACZVELLO-CIN-10M	PA-LACZVELLO-CIN-20M	PA-LACZVELLO-CIN-21		

External connectors

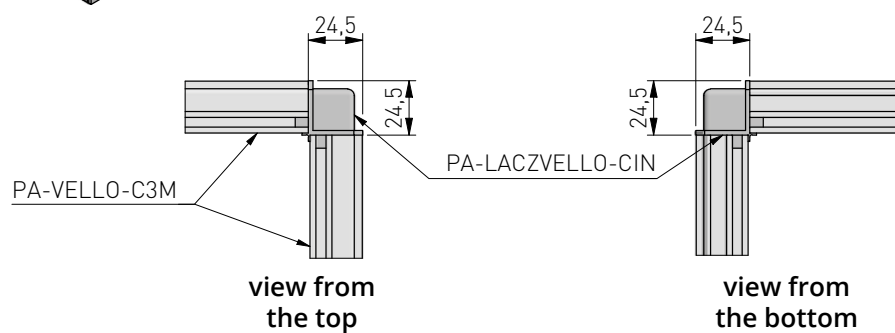
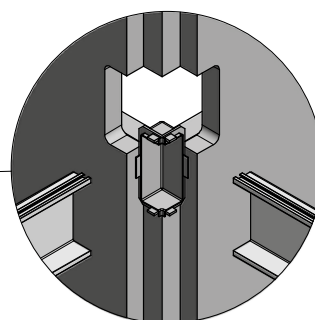
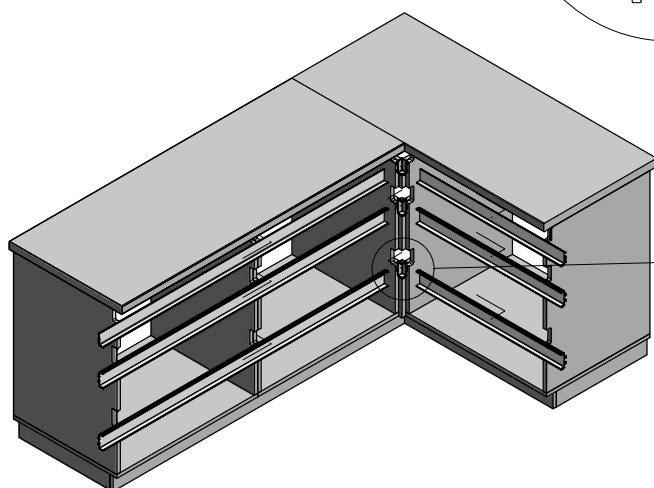
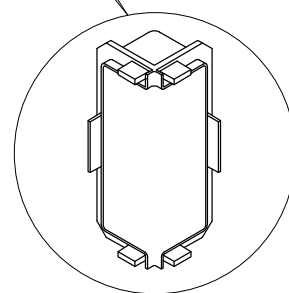
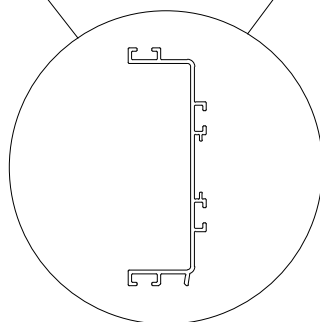
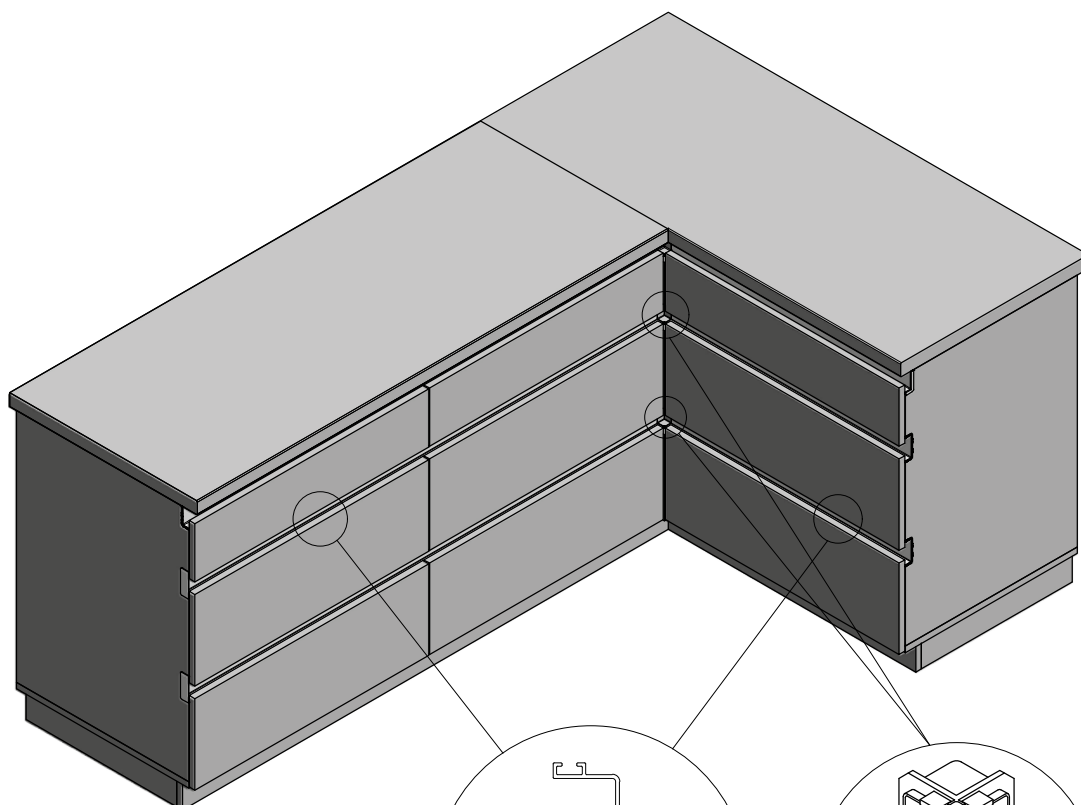


aluminium	brushed steel	white	black matt	gold	Plastic	10
PA-LACZVELLO-COUT-05	PA-LACZVELLO-COUT-06	PA-LACZVELLO-COUT-10M	PA-LACZVELLO-COUT-20M	PA-LACZVELLO-COUT-21		

Construction with external angle connectors

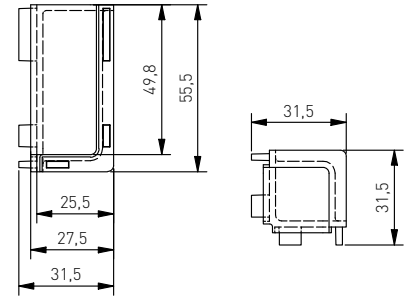
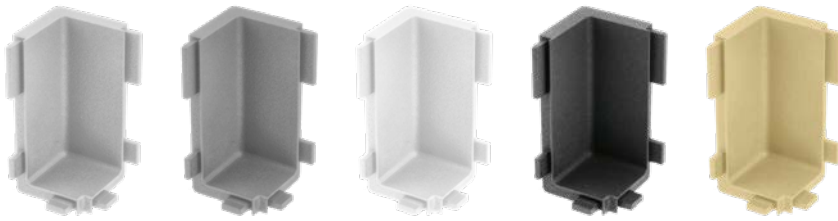


Construction with internal angle connectors



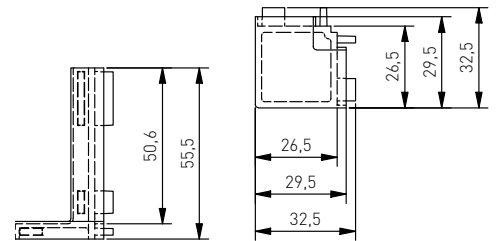
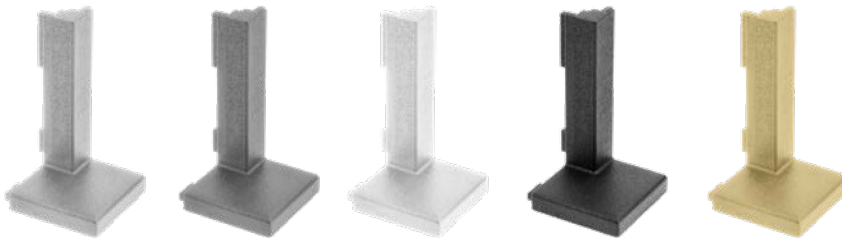
Angle connectors type L

Internal connectors



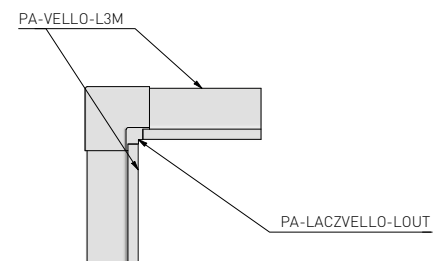
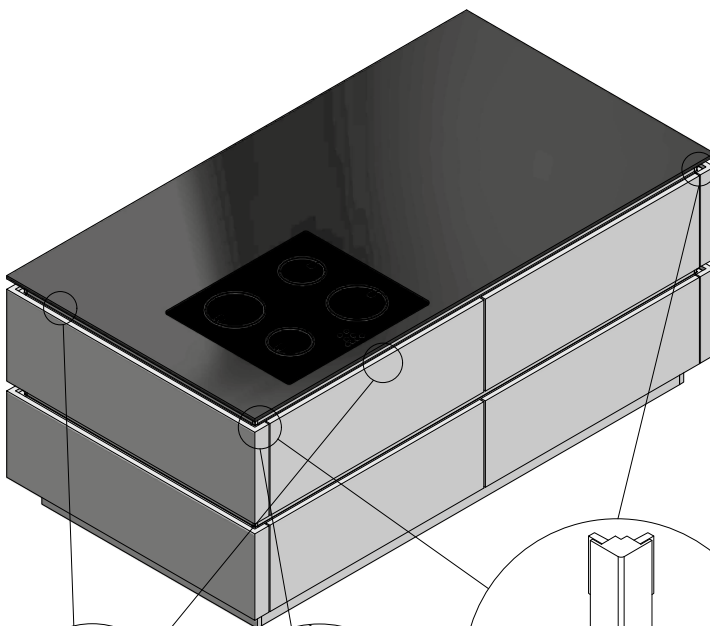
aluminium	brushed steel	white	black matt	gold	Plastic	10
PA-LACZVELLO-LIN-05	PA-LACZVELLO-LIN-06	PA-LACZVELLO-LIN-10M	PA-LACZVELLO-LIN-20M	PA-LACZVELLO-LIN-21		

External connectors

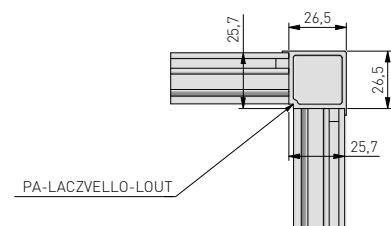


aluminium	brushed steel	white	black matt	gold	Plastic	10
PA-LACZVELLO-LOUT-05	PA-LACZVELLO-LOUT-06	PA-LACZVELLO-LOUT-10M	PA-LACZVELLO-LOUT-20M	PA-LACZVELLO-LOUT-21		

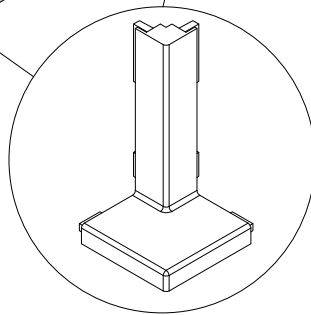
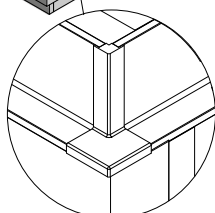
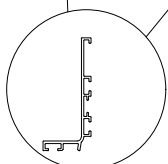
Construction with external angle connectors



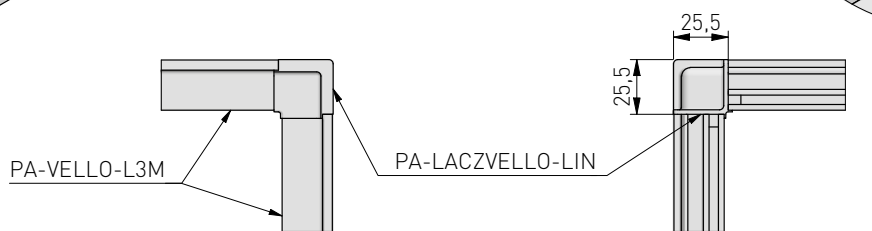
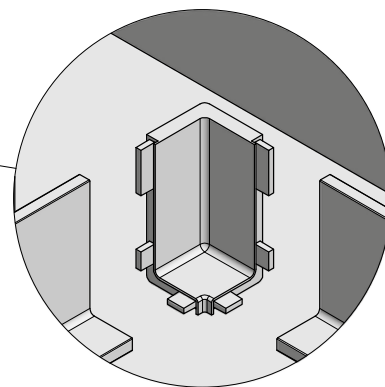
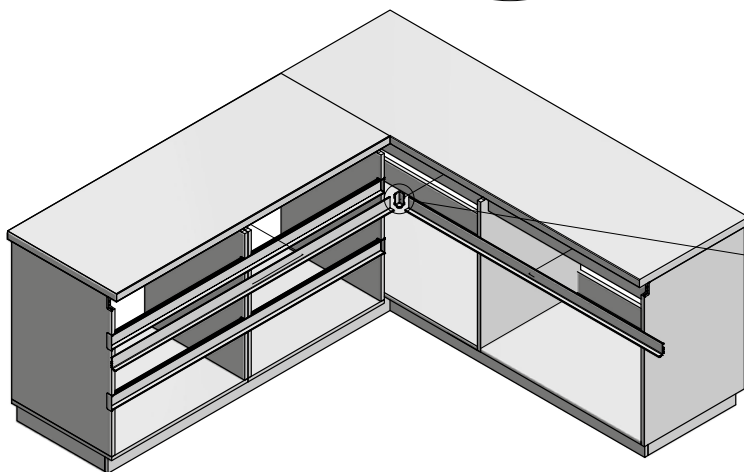
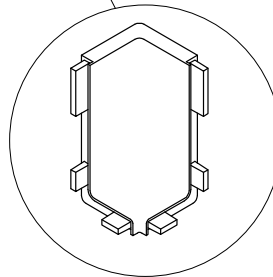
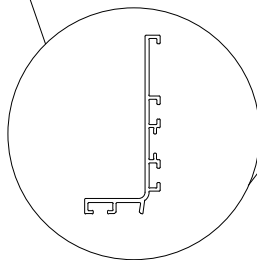
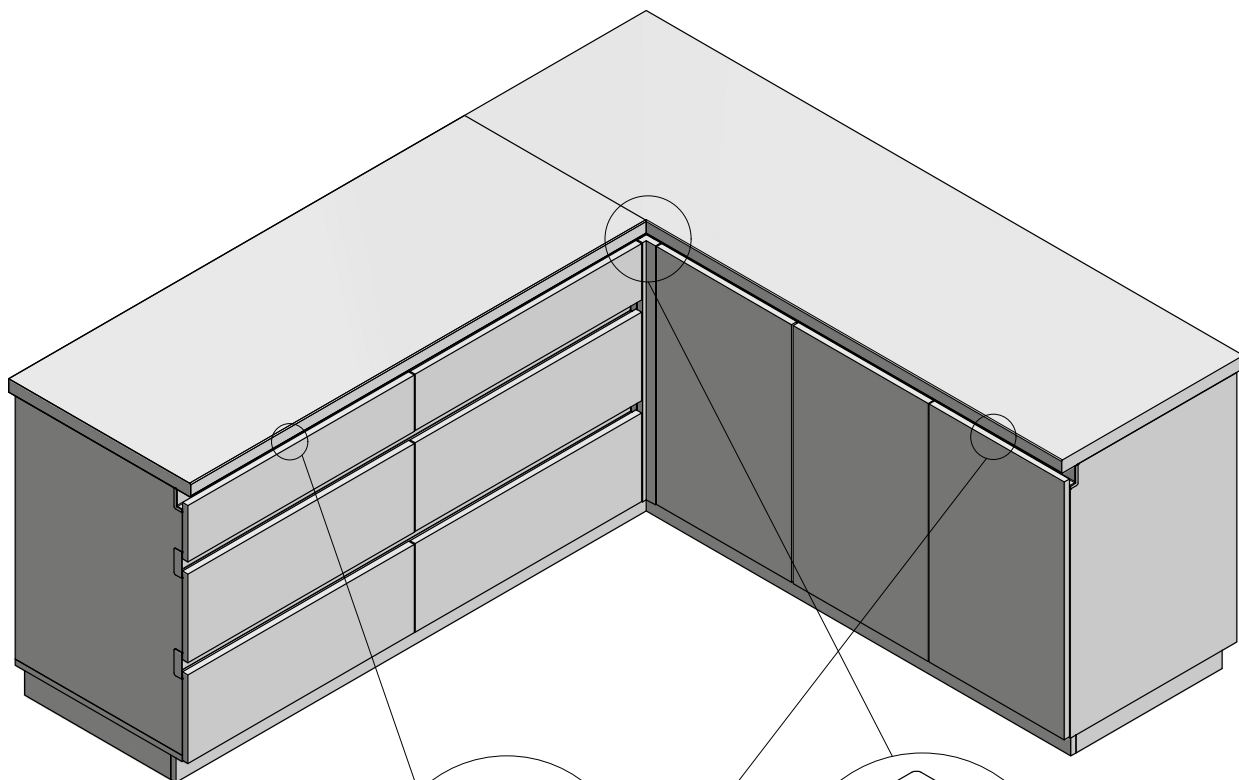
widok z góry:



widok z dołu:



Construction with internal angle connectors



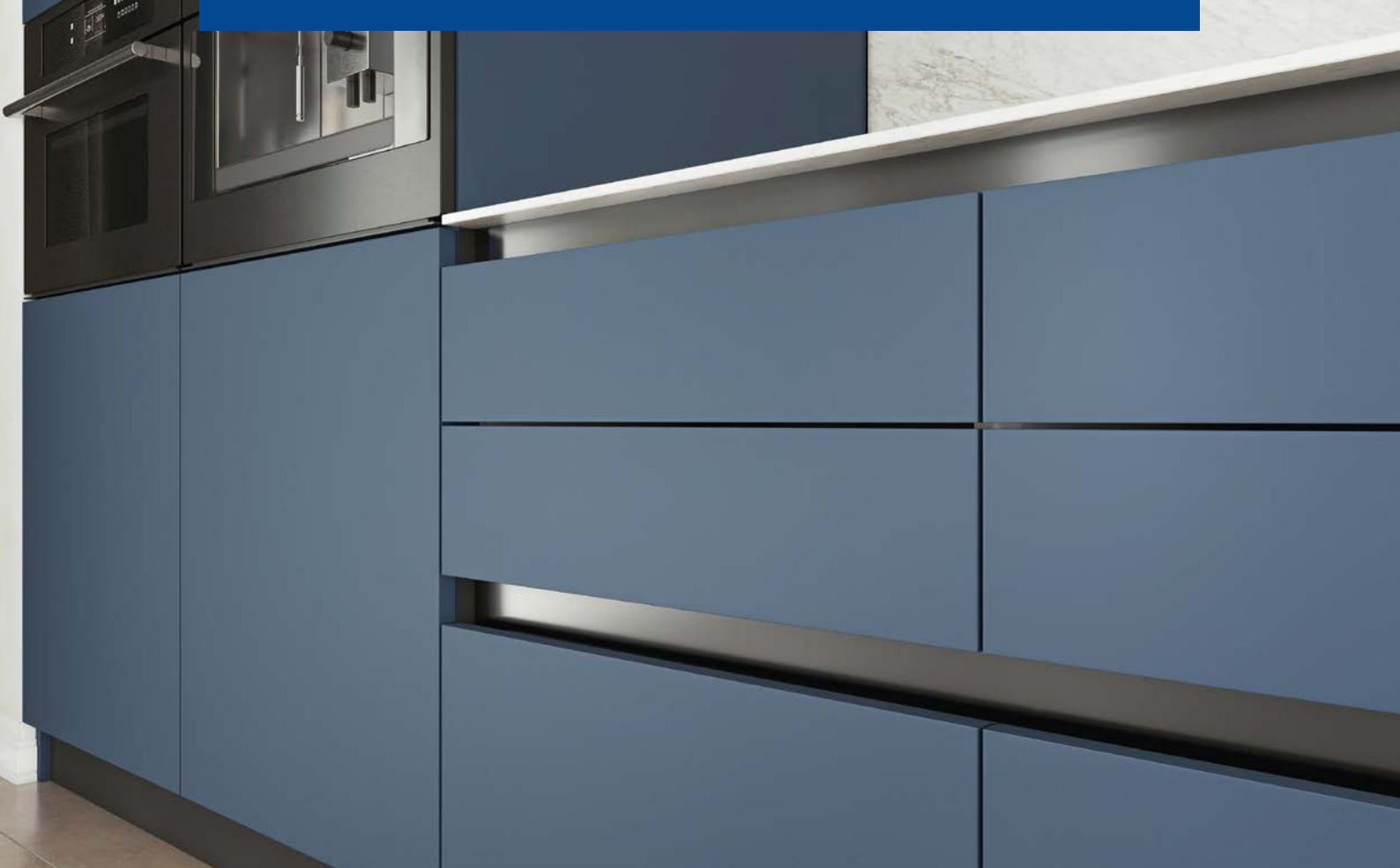
view from the top

view from the bottom



Vello will be perfect for any kitchen space – both small and large. It will be ideal for loft and industrial kitchens with dark fronts. It will also look perfectly in fashionable greyness - from bright to anthracite. Classic white kitchen with a worktop in warm wood shade is also a good place for Vello. Versatility of the system causes that there are no limitations for it.





Vello

SCAN THE CODE AND SEE
how a kitchen with Vello can look like.



GTV

ul. Przejazdowa 21
05-800 Pruszków
Poland

tel.: + 48 22 44 47 272
fax: +48 22 444 75 01
e-mail: info@gtv.com.pl



gtv.com.pl